

# Product Data Sheet

## 3-Series Smart Button

3460-G

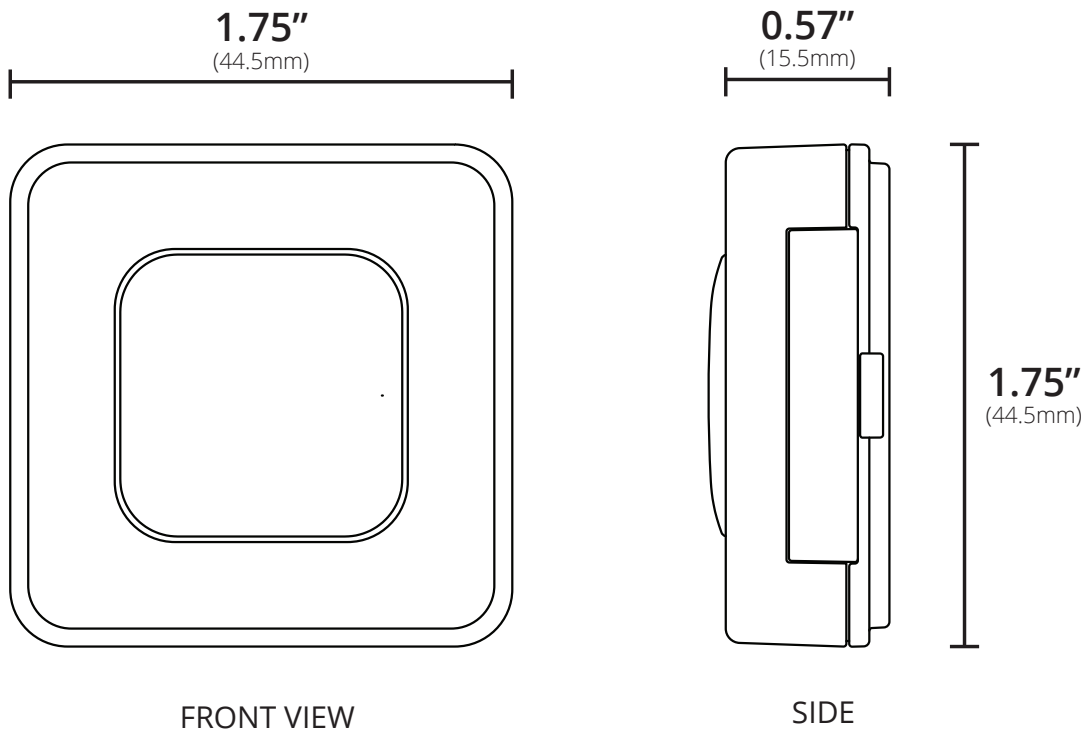


Last Updated: June 2016

### Product Overview

The 3-Series Smart Button can be customized to trigger events, scenes, or notifications in your connected home system. Less than two inches wide, the Smart Button can be installed on nearly any surface with adhesive or screws. Use the Smart Button to control LED lights, without the need for wiring. The Smart Button fully supports ZigBee HA 1.2, giving it a wide range of compatible platforms and unlimited options for connected home control.

### Dimensions



### In the Box:

- 1x - 3-Series Smart Button
- 1x - Mounting Bracket
- 1x - Mounting Adhesive

- 1x - CR-2450 Battery (pre-installed)
- 1x - Quick Start Guide

### Key Features:

- Easy-to-install mounting plate, or use with included adhesive tape.
- Built-in temperature sensor.
- Easy compatibility with other manufacturers' ZigBee HA 1.2 devices.
- Built-In temperature sensor
- Pull-to-pair joining process.
- Over-the-air firmware updates.

## Use Cases

- Control smart bulbs from anywhere in the home.
- Trigger “welcome” or “goodbye” scenes.
- Trigger alarm when doors or windows unexpectedly open.
- Automate lights in closets and small rooms

### Control smart bulbs from anywhere in the home.

The Smart Button can be configured to control smart LED bulbs, giving users options to add a light switch nearly anywhere without the need for wiring. Place the Smart Button on your bedside table to trigger “goodnight” scenes, or

### Trigger custom lighting scenes.

Place the Smart Button in more convenient places in your home to make lighting scenes a breeze. Press to initiate lighting scenes that you have setup for morning, emergency, party, and goodnight scenes.

### Create a panic button for use during emergencies.

In an emergency, such as an accident or burglary, you can engage the panic button with a quick tap. It’s like having a guardian angel in your home! Pair with an alarm or siren to alert your family and police to intruders as well as deterring burglars from entering the home.

### Lock and unlock doors at the touch of a button.

Set up with your smart locks to easily and conveniently lock doors from anywhere in your home.

---

## Special Features

### Hall Effect Sensor

The 3-Series Micro Door Sensor features a Hall effect sensor for increased sensitivity, reliability, and reduced size. By eliminating the need for a reed switch, the Hall effect sensor has no moving parts, increasing reliability. This feature also increases the battery life of the sensor.

### Easy Mounting Options

The 3-Series Micro Door Sensor can be installed using either adhesive strips or mounting screws (both included). The easy-to-install mounting plate attaches with a single screw and the sensor simply slides into place on the mount.

### Pull-to-Pair Join Process

All 3-Series sensors feature “pull-to-pair” joining. The device ships with the battery pre-installed and all that

is needed to begin the joining process is to pull out a small plastic tab from the bottom of the device. There is nothing for the user to take apart or put back together.

### ZigBee Home Automation 1.2 Compatibility

The 3-Series Micro Door Sensor is fully ZigBee HA 1.2 certified and is guaranteed to function with all open, ZigBee HA 1.2-certified hubs and devices.

### Superior Range and Updatability

The Door & Window Sensor supports over-the-air updates providing for seamless upgrades and feature additions without the need for any user interaction.

---

## Getting Started

### Step 1: Open ZigBee Network for Joining

Using your controller or hub’s interface, enable the ZigBee network for joining.

### Step 2: Pull Tab from Side of Sensor

Pull the small plastic tab out from the side of the sensor and it will immediately begin searching for a network to join.

### Step 2: Finish Joining at Hub (optional)

Some hubs and controllers require additional steps such as naming or categorizing the device.

## Troubleshooting

### Step 1: Remove and Replace Battery from Device

Open the battery tray on the side of the device. Remove battery and replace with a new CR-2450 battery. Reassemble and test operation.

### Step 2: Factory Reset and Rejoin

Remove battery. Insert a paper clip into the reset hole on the side of the device. While holding down the reset button, reinsert battery to factory reset the device. Repeat the “Getting Started” steps to rejoin the ZigBee network.

## Compatibility

The 3-Series Micro Door Sensor features out-of-the-box compatibility with any ZigBee HA 1.2-certified hub, controller, bridge, or platform.

---

## Technical Specifications

### Power

Rated: 3V  
Battery: CR-2450 (1x)  
Battery Life: Up to 2 years

### Environmental

Operating Temperature: 0° to 40°C

### Shipping / Storage

Temperature: -20° to 50°C  
Humidity Range: 0 to 90% RH.  
(non-condensing)

### Approvals:



### Wireless RF

Protocol: ZigBee HA 1.2  
TX Strength: +3 dBm  
RF Channels: 16  
Range: 130 ft. (40m) LOS

\*planned certifications

---

## Safety Warnings

### NOTE:

For monitored security applications, the sensor should be installed by a certified security installation professional.

---

## Support

Centralite offers both Tier-1 and Tier-2 support structures to meet the needs of different customers. For those customers that provide existing, in-house support for systems, Centralite can serve as Tier-2 support specialists. For Centralite retail-branded products, Centralite provides direct Tier-1 support for all products.

---

## Standard Warranty

Centralite offers a standard 12-month limited warranty on the 3-Series Micro Door Sensor.

Additional mandatory warranty period in compliance with local law product is being sold.

---

## Contact Sales

For more information about sales or distribution, please contact:

### North America

Sean Bryant, VP Sales & Marketing  
877-466-5483  
seanbryant@Centralite.com

Centralite Systems, Inc.  
1000 Cody Road  
Mobile, AL 36695

[www.Centralite.com](http://www.Centralite.com)

### International

Marco Dorjee  
International Business Development  
Office: +31 (0)20 893 2532  
Mobile: +31 (0)62 900 3903  
[marcodorjee@Centralite.com](mailto:marcodorjee@Centralite.com)

---

**Notice:** Any content, factual information, or specifications containing errors in this document are solely inadvertent and will be corrected upon discovery. Specifications for unreleased/planned products are subject to change.